

Paseo ML

Monocentric Brake Knee Joint
with Stance Flexion and Manual Lock

Part Nr. / Ref: CA602-ML

Suggested L Codes: L5812, L5845, L5850 and L5925



Introduction

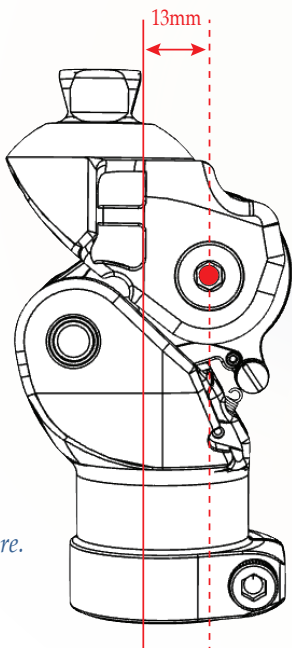
- Durable and adjustable weight activated brake.
- Compact and lightweight.
- Allows 5° stance flexion for shock absorption.
- Manual lock for early learning phase.
- Can permanently disengage the manual lock as needed.
- Built-in adjustable extension assist.

Technical Specifications

Material: Aluminum Alloy
Stance Flexion: 5°
Flexion Angle : 145°
Height : 115 mm (4.52")
Weight : 555 g (19.5 oz)
Weight Limit : 125 kg (275 lbs)
K Levels: 1, 2

Alignment

- The weight line of the socket should be 13 mm anterior to the knee axis as shown as a red vertical line in the figure.
- In order to increase the stability, prosthetists may shift the weight line more anteriorly to the knee axis.



Cypress Adaptive

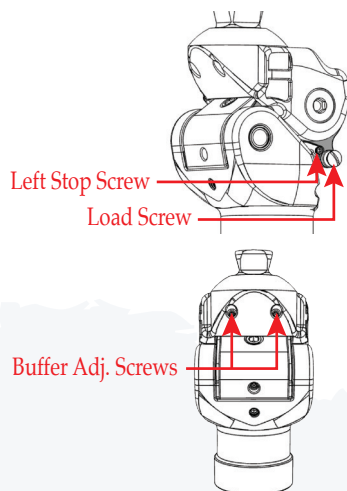
An Extension of Yourself

Manual Lock

- To disengage manual lock, follow these three steps:

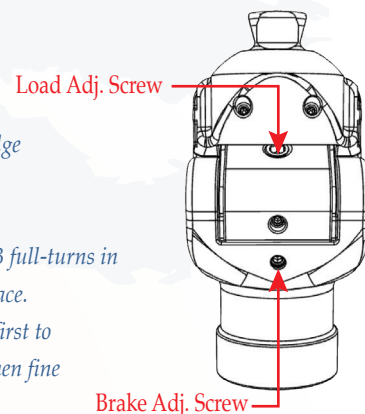
1. Fully extend the knee.
2. Pull up the lock lever to unlock the knee and hold it in the unlocked position.
3. Unscrew the right and left stop screws in order to prevent the knee from locking.

- If joint play is noticed in locked position, screw in the two buffer adjustment screws equally to eliminate the joint play.



Brake Adjustment

- Adjust load required to activate brake by:
 - screw-in: increase the required load
 - screw-out: decrease the required load
- After adjustments are made, make certain that top edge of screw is either flush to or lower than flat surface so as not to impede knee function.
- The default setting of the brake adjustment screw is 3 full-turns in from the top edge of the screweleving to the flat surface.
- For heavier patients, screw-in the load adjust screw first to increase the load required to activate the brake and then fine tune brake using brake adjust screw.

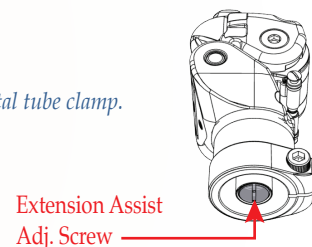


Extension Assist Adjustment

- Extension assist adjustment screw is inside the distal tube clamp.

Adjust the extension assist of the knee by:

- screw-in: increase assist.
- screw-out: decrease assist.



Cypress Adaptive

An Extension of Yourself

804 West Bartlett Rd., Bartlett, IL 60103

info@cypressadaptive.com

www.cypressadaptive.com

888-715-8003

Fax: 888-715-4535



Medidas
Zaagmolen 40
3962 GB Wijk bij Duurstede
Netherlands
medidas@medidas.nl

Rev: 2017/11